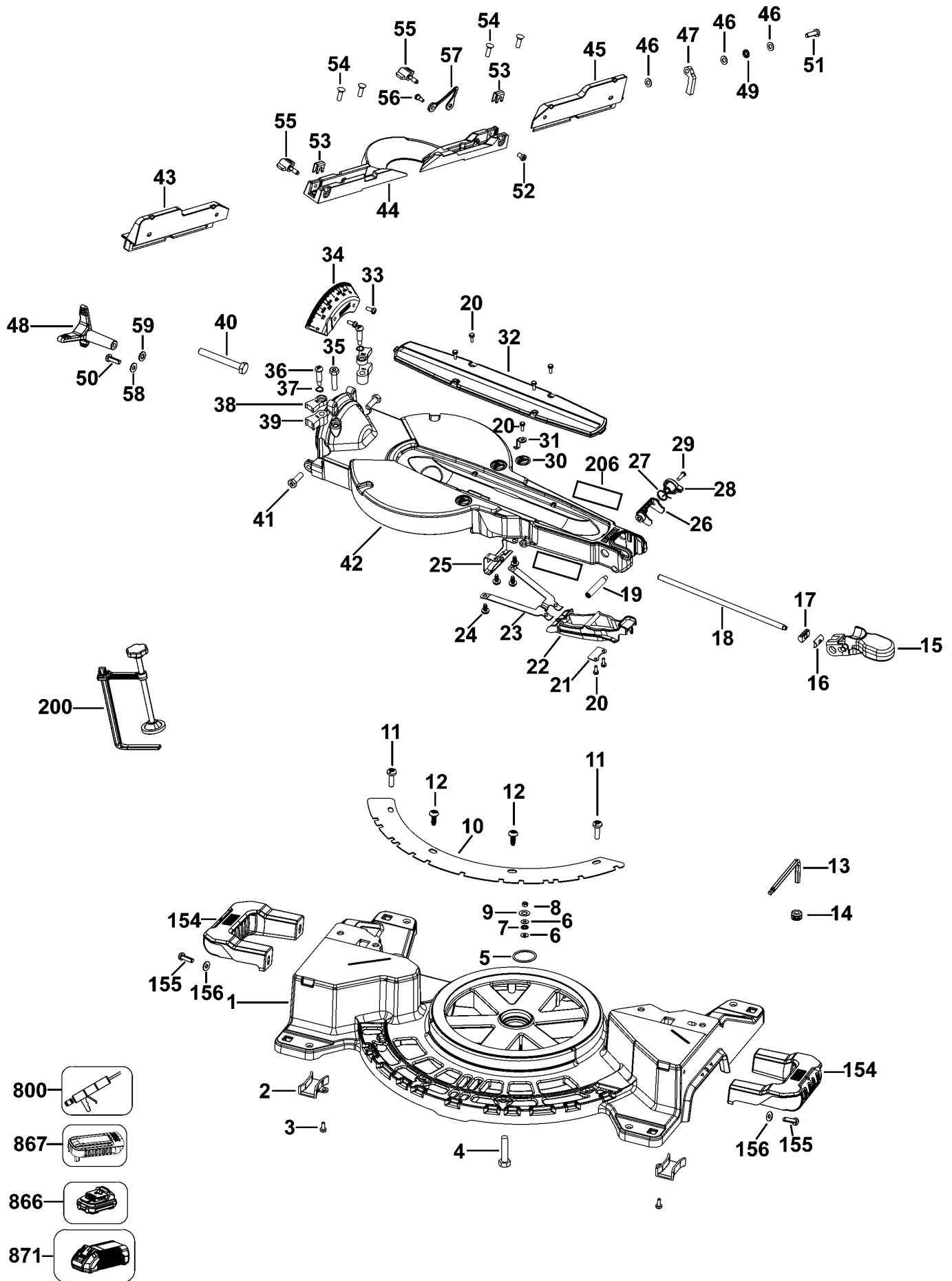
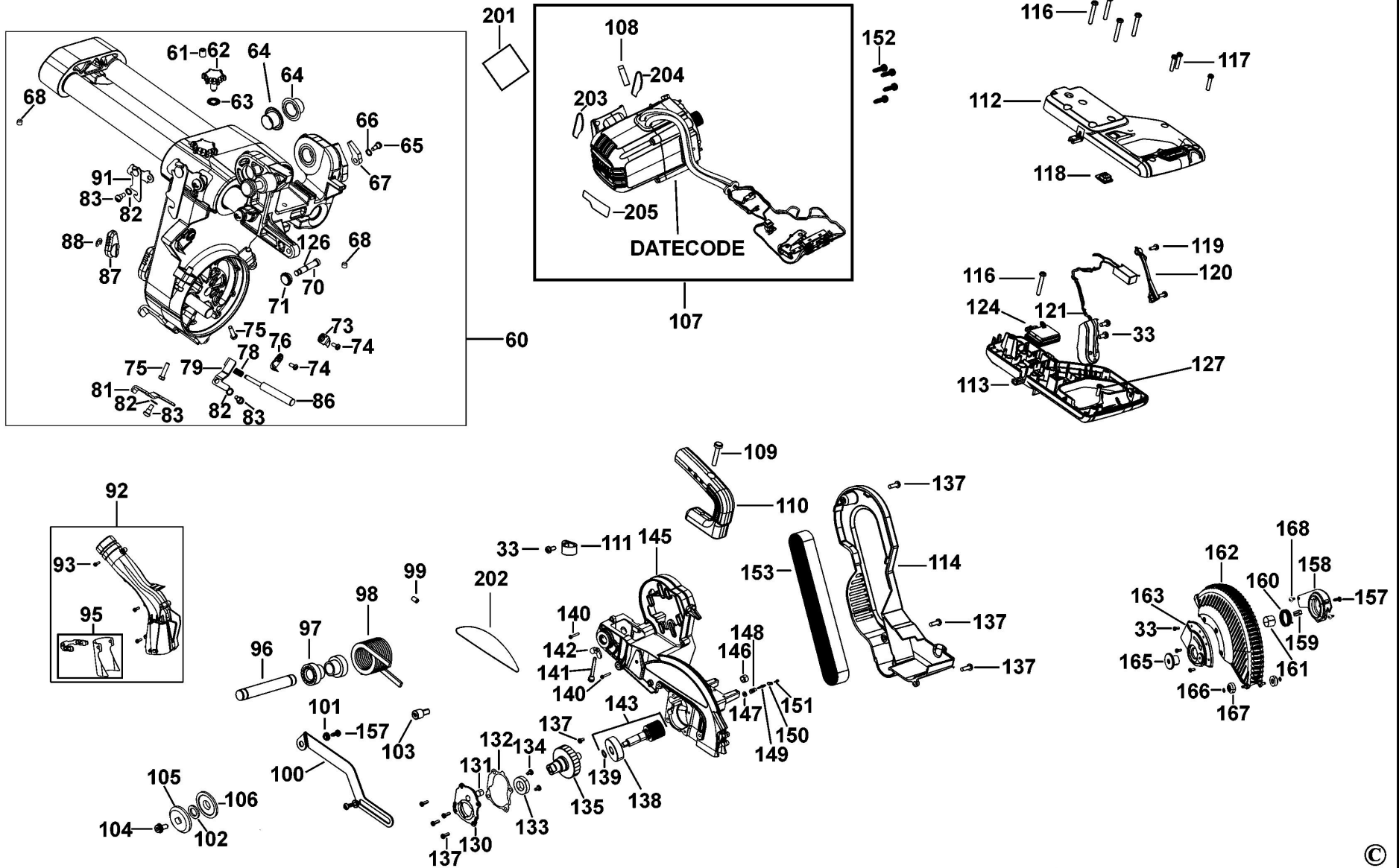


DCS727 Table MITRE SAW 1



DCS727 Arm MITRE SAW 1



Parts List DCS727 MITRE SAW 1

| Item | Part Number | Qty | Part Description | General Description | Other Info | Repair Inst | Markets |
|------|-------------|-----|------------------|---------------------|------------|-------------|---------|
| 1 | N746705 | 1 | BASE | | | No | QW |
| 2 | N542847 | 2 | HOLDER | | | No | QW |
| 3 | 330045-05 | 2 | SCREW | | | No | QW |
| 4 | 98025-35 | 1 | SCREW | | | No | QW |
| 5 | 49787-00 | 1 | O RING | | | No | QW |
| 6 | 153792-00 | 2 | WASHER | | | No | QW |
| 7 | 153451-00 | 1 | BEARING THRUST | | | No | QW |
| 8 | N074448 | 1 | NUT | | | No | QW |
| 9 | N556926 | 1 | CAP | | | No | QW |
| 10 | N690033 | 1 | SCALE | | | No | QW |
| 11 | 604410-00 | 2 | SCREW | | | No | QW |
| 12 | 330045-23 | 2 | SCREW | | | No | QW |
| 13 | N767631 | 1 | HEX KEY | | | No | QW |
| 14 | N592585 | 1 | RUBBER | | | No | QW |
| 15 | N540765 | 1 | LEVER | | | No | QW |
| 16 | N419627 | 1 | NUT | | | No | QW |
| 17 | 621322-00 | 1 | NUT | | | No | QW |
| 18 | N577744 | 1 | BAR LOCKING | | | No | QW |
| 19 | N597803 | 1 | PIN | | | No | QW |
| 20 | 330045-45 | 5 | SCREW | | | No | QW |
| 21 | 641448-00 | 1 | RETAINER | | | No | QW |
| 22 | N704030 | 1 | ACTUATOR | | | No | QW |
| 23 | 397070-00 | 1 | SPRING | | | No | QW |
| 24 | 330045-55 | 5 | SCREW | | | No | QW |
| 25 | 397062-00 | 1 | PLATE | | | No | QW |
| 26 | N655907 | 1 | LOCK | | | No | QW |
| 27 | 641423-00 | 1 | SPRING | | | No | QW |
| 28 | 641422-00 | 1 | KNOB | | | No | QW |
| 29 | 330019-12 | 1 | SCREW | | | No | QW |
| 30 | 610707-00 | 2 | WARNING LABEL | | | No | QW |
| 31 | 397048-00 | 1 | POINTER | | | No | QW |
| 32 | N540767 | 1 | INSERT | | | No | QW |

Parts List DCS727 MITRE SAW 1

| Item | Part Number | Qty | Part Description | General Description | Other Info | Repair Inst | Markets |
|------|-------------|-----|------------------|---------------------|------------|-------------|---------|
| 33 | 330045-49 | 6 | SCREW | | | No | QW |
| 34 | N090294 | 1 | BEVEL SCALE | | | No | QW |
| 35 | N600059 | 1 | BOLT | | | No | QW |
| 36 | N058315 | 1 | SCREW.SPECIAL | | | No | QW |
| 37 | 385946-00 | 2 | WASHER SPRING | | | No | QW |
| 38 | N043045 | 2 | PAWL | | | No | QW |
| 39 | N043046 | 2 | PAWL | | | No | QW |
| 40 | N536137 | 1 | BOLT | | | No | QW |
| 41 | N600034 | 1 | SCREW | | | No | QW |
| 42 | N746713 | 1 | ROTARY TABLE | | | No | QW |
| 43 | N571282 | 1 | FENCE | | | No | QW |
| 44 | N571280 | 1 | FENCE | | | No | QW |
| 45 | N571283 | 1 | FENCE | | | No | QW |
| 46 | 613270-00 | 3 | WASHER | | | No | QW |
| 47 | N638426 | 1 | STOP | | | No | QW |
| 48 | N056883 | 1 | LOCK HANDLE | | | No | QW |
| 49 | N463949 | 1 | BEARING THRUST | | | No | QW |
| 50 | 612008-00 | 1 | SCREW | | | No | QW |
| 51 | 612008-00 | 1 | SCREW | | | No | QW |
| 52 | N769115 | 2 | PLASTIC SCREW | | | No | QW |
| 53 | N583687 | 2 | RETAINER | | | No | QW |
| 54 | 098105-03 | 4 | SCREW | | | No | QW |
| 55 | 147107-07 | 2 | KNOB LOWER | | | No | QW |
| 56 | 153639-00 | 1 | SCREW | | | No | QW |
| 57 | N587154 | 1 | CONNECTING WIRE | | | No | QW |
| 58 | 153792-00 | 1 | WASHER | | | No | QW |
| 59 | 330016-04 | 1 | WASHER | | | No | QW |
| 60 | N747507 | 1 | TRUNION | | | No | QW |
| 61 | 153576-04 | 1 | SCREW | | | No | QW |
| 62 | N080677 | 1 | KNOB | M8x1.0 THD | | No | QW |
| 63 | 659919-00 | 1 | SPRING | | | No | QW |
| 64 | N083191 | 2 | BUSH | | | No | QW |

Parts List DCS727 MITRE SAW 1

| Item | Part Number | Qty | Part Description | General Description | Other Info | Repair Inst | Markets |
|------|-------------|-----|------------------|----------------------|------------|-------------|---------|
| 65 | 153639-00 | 1 | SCREW | | | No | QW |
| 66 | 153655-00 | 2 | WASHER | | | No | QW |
| 67 | 153603-01 | 1 | PAWL | | | No | QW |
| 68 | 153666-00 | 2 | SCREW | set screw M8 x 8mm l | | No | QW |
| 70 | 387130-00 | 1 | LOCKING PIN | | | No | QW |
| 71 | N654500 | 1 | KNOB | | | No | QW |
| 73 | N058308 | 1 | POINTER | | | No | QW |
| 74 | N058314 | 2 | SCREW | | | No | QW |
| 75 | N058312 | 2 | SCREW | | | No | QW |
| 76 | N058309 | 1 | POINTER | | | No | QW |
| 78 | 167785-00 | 1 | SPRING | | | No | QW |
| 79 | N049689 | 1 | STOP RH | | | No | QW |
| 81 | N051519 | 1 | STOP LH | | | No | QW |
| 82 | 153655-00 | 4 | WASHER | | | No | QW |
| 83 | 153639-00 | 5 | SCREW | | | No | QW |
| 86 | N834068 | 1 | PIN | | | No | QW |
| 87 | N080199 | 1 | KNOB | | | No | QW |
| 88 | 60325-01 | 1 | RING | | | No | QW |
| 91 | N095579 | 1 | LEVER SA | | | No | QW |
| 92 | N592588 | 1 | DUST PORT | | | No | QW |
| 93 | 330019-05 | 3 | SCREW | | | No | QW |
| 95 | N751540 | 1 | CHUTE | | | No | QW |
| 96 | 146751-00 | 1 | SHAFT | | | No | QW |
| 97 | 146732-00 | 2 | SPACER | | | No | QW |
| 98 | N039404 | 1 | SPRING | | | No | QW |
| 99 | 150075-00 | 2 | SCREW | | | No | QW |
| 100 | 641436-00 | 1 | LINK | | | No | QW |
| 101 | 146740-00 | 2 | SLEEVE | | | No | QW |
| 102 | 604770-00 | 1 | ADAPTOR | | | No | QW |
| 103 | N460123 | 1 | SCREW | | | No | QW |
| 104 | N600011 | 1 | BLADE BOLT | | | No | QW |
| 105 | N542995 | 1 | CLAMP OUTER | | | No | QW |

Parts List DCS727 MITRE SAW 1

| Item | Part Number | Qty | Part Description | General Description | Other Info | Repair Inst | Markets |
|------|-------------|-----|--------------------|---------------------|------------|-------------|---------|
| 106 | N913382 | 1 | WASHER INNER CLAMP | | | No | QW |
| 107 | N747526 | 1 | MOTOR SA | | | No | QW |
| 108 | 394034-00 | 1 | SCREW | | | No | QW |
| 109 | 330019-76 | 1 | SCREW | M5.74x32 | | No | QW |
| 110 | N703990 | 1 | HANDLE | | | No | QW |
| 111 | N592587 | 1 | CORD CLAMP | | | No | QW |
| 112 | N592592 | 1 | CLAMSHELL HALF | | | No | QW |
| 113 | N592593 | 1 | CLAMSHELL HALF | | | No | QW |
| 114 | N592581 | 1 | COVER BELT | | | No | QW |
| 116 | 330045-18 | 4 | SCREW | | | No | QW |
| 117 | 330019-32 | 5 | SCREW | | | No | QW |
| 118 | N300152 | 1 | CAP | | | No | QW |
| 119 | 330045-45 | 1 | SCREW | | | No | QW |
| 120 | N589571 | 1 | COVER | | | No | QW |
| 121 | N747544 | 1 | LED LIGHT | | | No | QW |
| 124 | N747545 | 1 | MODULE | | | No | QW |
| 126 | 34158-00 | 1 | SEAL | | | No | QW |
| 127 | 330019-12 | 1 | SCREW | | | No | QW |
| 130 | 641495-00 | 1 | GEARCASE COVER SA | | | No | QW |
| 131 | 391616-00 | 1 | BEARING NEEDLE | | | No | QW |
| 132 | 641459-00 | 1 | GASKET | | | No | QW |
| 133 | 330003-66 | 1 | BEARING,BALL | | | No | QW |
| 134 | 385915-04 | 2 | SCREW | | | No | QW |
| 135 | 641465-00 | 1 | GEAR & SPINDLE SA | | | No | QW |
| 137 | 330045-14 | 8 | SCREW | | | No | QW |
| 138 | 605040-69 | 1 | BEARING | | | No | QW |
| 139 | 153752-00 | 1 | RETAINER | | | No | QW |
| 140 | 330019-05 | 2 | SCREW | | | No | QW |
| 141 | N185664 | 1 | SCREW | | | No | QW |
| 142 | 150718-00 | 1 | NUT WING | | | No | QW |
| 143 | N066269 | 1 | SHAFT SA | | | No | QW |
| 145 | N571290 | 1 | ARM | | | No | QW |

Parts List DCS727 MITRE SAW 1

| Item | Part Number | Qty | Part Description | General Description | Other Info | Repair Inst | Markets |
|------|-------------|-----|--------------------------------|---------------------|------------|-------------|---------|
| 146 | 386780-00 | 1 | BEARING | | | No | QW |
| 147 | 153559-00 | 1 | WASHER | | | No | QW |
| 148 | 448176-00 | 1 | SPRING | | | No | QW |
| 149 | 153561-00 | 1 | LOCKING PIN | | | No | QW |
| 150 | 393071-00 | 1 | PLATE | | | No | QW |
| 151 | 330045-45 | 1 | SCREW | | | No | QW |
| 152 | 330045-15 | 6 | SCREW | | | No | QW |
| 153 | N767583 | 1 | BELT | | | No | QW |
| 154 | N779656 | 1 | HANDLE KIT | | | No | QW |
| 155 | 330045-23 | 4 | SCREW | | | No | QW |
| 156 | N611941 | 1 | WASHER | | | No | QW |
| 157 | 330045-23 | 3 | SCREW | | | No | QW |
| 158 | N041974 | 1 | PLATE | | | No | QW |
| 159 | 146768-00 | 1 | BUMPER | | | No | QW |
| 160 | 661454-00 | 1 | SPRING | | | No | QW |
| 161 | 148295-00 | 1 | SLEEVE | | | No | QW |
| 162 | N540770 | 1 | GUARD LOWER | | | No | QW |
| 163 | N592582 | 1 | PLATE | | | No | QW |
| 165 | 146750-03 | 1 | RETAINING PLATE | | | No | QW |
| 166 | 142273-00 | 2 | RING | | | No | QW |
| 167 | 625825-00 | 2 | ROLLER | | | No | QW |
| 168 | 330045-55 | 3 | SCREW | | | No | QW |
| 200 | N753539 | 1 | CLAMP SA | | | No | QW |
| 201 | N620535 | 1 | RATING PLATE | | | No | QW |
| 202 | N627027 | 1 | BRAND LABEL | | | No | QW |
| 203 | N459248 | 1 | LABEL | | | No | QW |
| 204 | N459249 | 1 | LABEL | | | No | QW |
| 205 | N503697 | 1 | BRAND LABEL | | | No | QW |
| 206 | N703970 | 2 | LABEL | | | No | QW |
| 866 | N722442 | 1 | BATTERY 3x18V - 12.0AH - 216WH | DCB548-XJ | | No | QW |
| 867 | N462141 | 1 | SAFETY CAP | | | No | QW |
| 871 | N473860 | 1 | CHARGER | DCB118-QW | | No | QW |